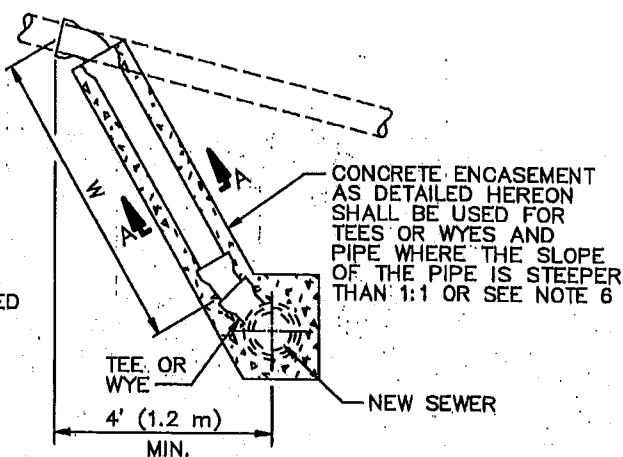
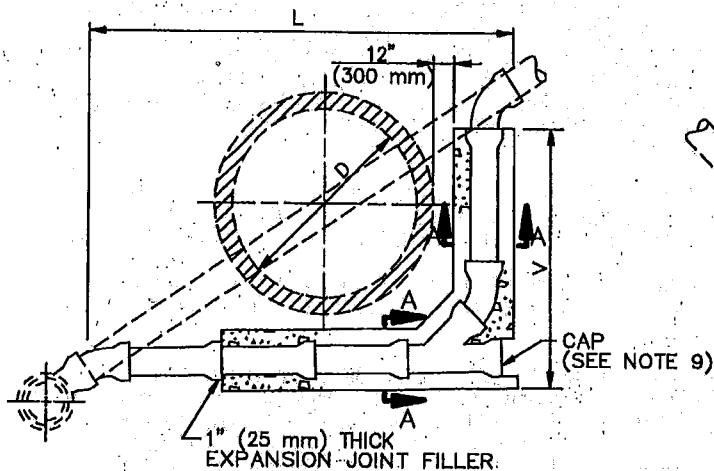


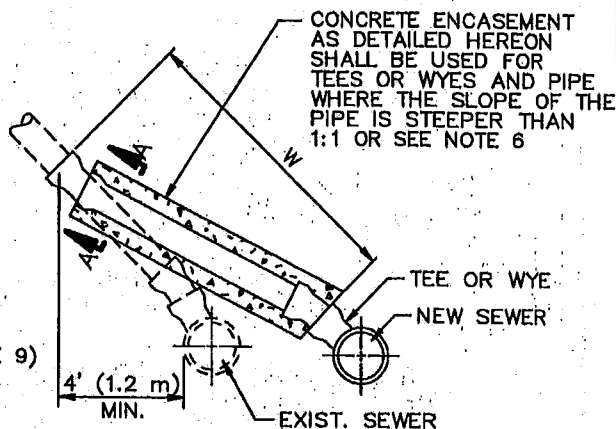
CASE G



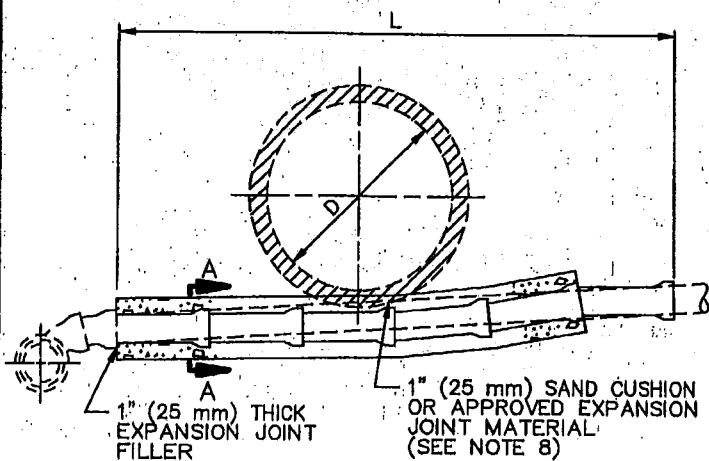
CASE R



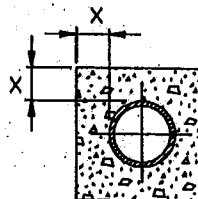
CASE H



CASE S



CASE K



NOMINAL DIAMETER OF PIPE INCHES (mm)	MINIMUM DIMENSIONS X INCHES (mm)
6 (150)	3 (75)
8 (200)	4 (100)
10 (250)	5 (125)
12 (300)	6 (150)

SECTION A-A
CONCRETE ENCASEMENT DETAIL
(SEE NOTE 5)

NOTES

1. EXCEPT AS OTHERWISE INDICATED HEREON OR ON THE PLANS, ALL HOUSE CONNECTION REMODELING SHALL CONFORM TO THE APPLICABLE PORTIONS OF SPPWC 222, HOUSE CONNECTION SEWER.
2. SEE PROJECT PLANS FOR VALUES OF D, L, V, AND W. (DIMENSION L IS THE HORIZONTAL LENGTH OF THE HOUSE CONNECTION REMODELING).
3. EXISTING SEWERS ARE INDICATED BY DASHED LINES. HOUSE CONNECTION SEWERS TO BE CONSTRUCTED ARE INDICATED BY SOLID LINES AND SHALL BE OF THE SAME MATERIAL AS THE EXISTING SEWER. THE CONTRACTOR MAY CONSTRUCT THE SEWER WITH OTHER MATERIALS ALLOWED BY SPPWC 222 PROVIDED APPROVED ADAPTORS ARE UTILIZED.
4. 1/16 (22.5') OR 1/8 (45') BENDS SHALL BE USED TO REMODEL OR CONSTRUCT ANY SEWER ON A CURVE OR AT ANY CHANGE IN ALIGNMENT. WHERE PHYSICAL OR GEOMETRIC LIMITATIONS PRECLUDE THE USE OF 1/16 (22.5') OR 1/8 (45') BENDS, THE CONTRACTOR SHALL SUBMIT TO THE ENGINEER FOR APPROVAL THE PROPOSED METHOD OF REMODELING OR CONSTRUCTION.
5. ALL HOUSE CONNECTION SEWERS TO BE CONSTRUCTED UNDER A PROPOSED CONDUIT SHALL BE ENCASED IN CONCRETE AS SHOWN HEREON. WHEN THE HOUSE CONNECTION SEWER SLOPE EXCEEDS 1:1 THE CONTRACTOR MAY, AT ITS OPTION, PLACE A CIRCULAR CROSS SECTION WITH MINIMUM COVER EQUAL TO DIMENSION "X" AS SHOWN ON SECTION A-A HEREON IN LIEU OF A SQUARE CROSS SECTION OF CONCRETE. CONCRETE BEDDING AND ENCASEMENT SHALL BE CLASS 450-C-2000 (250-C-14) AND SHALL EXTEND TO THE FIRST PIPE JOINT AT LEAST 1' (300 mm) BEYOND THE OD OF EACH SIDE OF THE PROPOSED CONDUIT.
6. FOR CASE R AND S, WHEN THE SLOPE OF THE PIPE EXCEEDS 1:1, THE CONTRACTOR MAY, AT ITS OPTION, CONSTRUCT A CHIMNEY CONFORMING TO SPPWC 220 ON THE NEW SEWER IN LIEU OF CONSTRUCTING THE ENCASEMENT SHOWN HEREON.
7. FOR CASES E AND F, SADDLES SHALL BE CONNECTED EITHER TO THE LENGTH OF PIPE CONTAINING THE EXISTING TEE OR WYE OR TO THE ADJACENT DOWNSTREAM PIPE LENGTH.
8. CONDUITS TO BE INSTALLED OVER OR WITHIN 1" (25 mm) OF ANY CONCRETE ENCASEMENT OR STRUCTURE, WHETHER EXISTING OR TO BE PLACED IN CONFORMITY WITH THE REQUIREMENTS HEREIN, SHALL BE INSTALLED ON A 1" (25 mm) SAND CUSHION OR APPROVED EXPANSION JOINT MATERIAL. CONCRETE ENCASEMENT INSTALLED PURSUANT TO THIS STANDARD PLAN SHALL BE SEPARATED FROM EXISTING CONDUIT WITH 1" (25 mm) THICK EXPANSION JOINT MATERIAL.
9. THOSE PORTIONS OF AN ABANDONED PIPE LOCATED BENEATH OR WITHIN 6" (150 mm) OF A RELOCATED HOUSE CONNECTION SEWER SHALL BE REMOVED. THE EXCAVATION SHALL BE REFILLED TO THE GRADE OF THE NEW PIPE INVERT WITH CLASS 100-E-100 (60-E-0.7) CONCRETE. THE CONTRACTOR MAY, AT ITS OPTION, SUBSTITUTE MECHANICALLY COMPACTED BACKFILL IN LIEU OF THE CLASS 100-E-100 (60-E-0.7) CONCRETE. THOSE PORTIONS OF ABANDONED PIPE NOT REMOVED SHALL BE SEALED. WHERE CAPS ARE USED, THEY SHALL BE SEALED BY FILLING THE SPACE ABOVE THE CAP WITH SAND AND A 1" (25 mm) THICK COATING OF TYPE "F" MORTAR.
10. SUPPORT WALLS SHALL CONFORM TO SPPWC 224.
11. WHEN INDICATED ON THE PLANS OR THE SPECIAL PROVISIONS, A CLEANOUT SHALL BE CONSTRUCTED IN CONJUNCTION WITH CASE E AS FOLLOWS:
 - A. SUBSTITUTE A "Y" FOR THE 45° BEND.
 - B. PLACE A 45° BEND ON THE UPPER END OF THE "Y".
 - C. CAP TOP OF 45° BEND WITH A CAP AND SEAL WITH 1" (25 mm) THICK TYPE "F" MORTAR AROUND THE CIRCUMFERENCE OF THE CAP.

STANDARD PLANS FOR PUBLIC WORKS CONSTRUCTION

STANDARD PLAN

HOUSE CONNECTION REMODELING

223-2

SHEET 3 OF 3