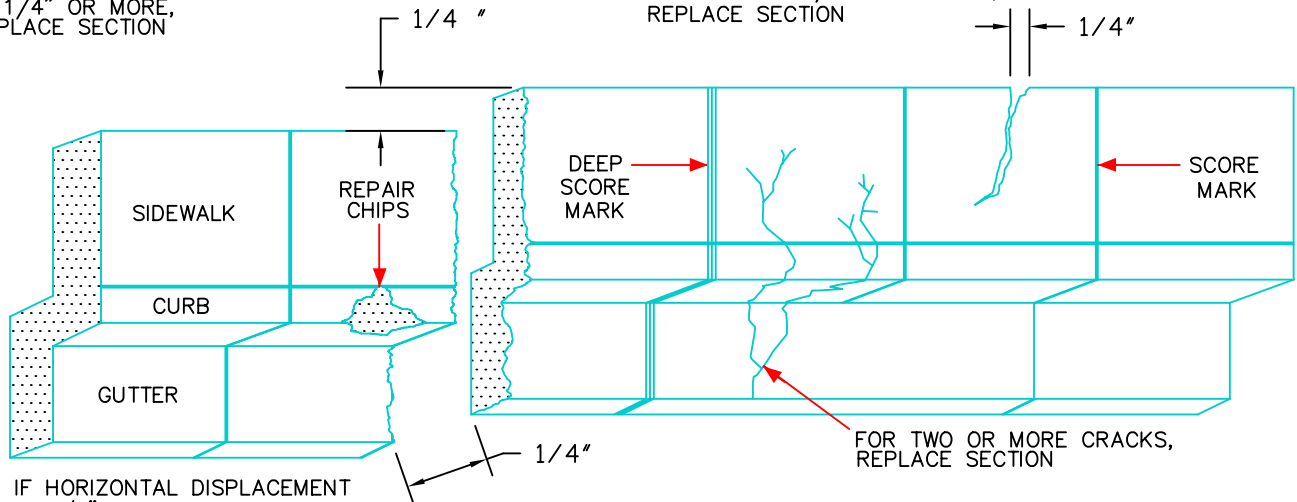
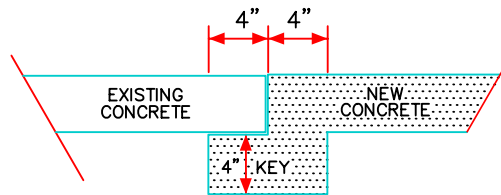


IF VERTICAL DISPLACEMENT IS 1/4" OR MORE, REPLACE SECTION

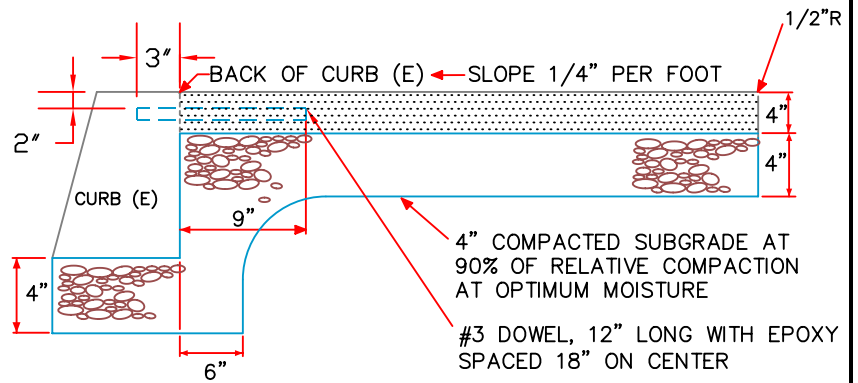
FOR CRACKS 1/4" OR LARGER, REPLACE SECTION



IF HORIZONTAL DISPLACEMENT IS 1/4" OR MORE, REPLACE SECTION



4" x 4" KEY UNDER EXISTING CONCRETE, WHEN POURING NEW CONCRETE TO EXISTING SIDEWALK/ CURB/ GUTTER



SIDEWALK REPAIR WITH DOWELS

NOTES:

1. CONCRETE CURBS & WALKS WHICH ARE DEFECTIVE WITH CRACKING, DISPLACEMENT, SPALLING, OR EXCESSIVE HONEYCOMBING SHALL BE REPAIRED BY REMOVING AND REPLACING THE DEFECTIVE PORTIONS.
2. SURFACE CHIPS MAY BE REPAIRED BY AN EPOXY METHOD WHICH WILL RESULT IN A HARD SURFACED, NEAT PERMANENT REPAIR. SURFACE TEXTURE AND COLOR MUST MATCH ADJACENT CONCRETE.
3. WHEN DEFECTIVE PORTIONS OF CURBS AND WALKS ARE REMOVED, THEY SHALL BE REMOVED IN SEGMENTS BETWEEN SCORE MARKS AND/OR EXPANSION JOINTS. REPLACEMENT CONCRETE SHALL BE FORMED AND FINISHED TO THE SAME STANDARDS REQUIRED FOR NEW WORK. THE EDGE OF THE EXISTING ASPHALT PAVING WILL NOT BE USED AS A CURB FORM.
4. DRIVEWAY APRONS SHALL BE REPAIRED BY SAWING OUT THE DEFECTIVE PORTION BETWEEN SCORES OR JOINTS
5. CRACKING OF CURBS, WALKS, AND DRIVEWAY APRONS WILL REQUIRE REMOVAL AND REPLACEMENT WHEN THE FOLLOWING SITUATIONS OCCUR:
 - A. WHEN ANY INDIVIDUAL CRACK IS 3/32" WIDE OR WIDER.
 - B. WHEN TWO OR MORE CRACKS OF ANY WIDTH OCCUR BETWEEN SCORE LINES AND/OR EXPANSION JOINTS.
 - C. WHERE ANY DISPLACEMENT HAS OCCURED EITHER VERTICALLY OR HORIZONTALLY WHICH EXCEEDS 3/32".
 - D. LIMITS OF REMOVAL TO BE DETERMINED BY THE CITY INSPECTOR.
6. INSTALL DOWELS IN BACK OF CURB WHENEVER REPLACING MORE THAN ONE SECTION OF SIDEWALK OR AS DIRECTED BY CITY INSPECTOR. USE EPOXY TO SECURE DOWELS.
7. DOWELS SHALL BE #3, 12 INCH LONG, SPACE 18" ON CENTER. DOWELS SHALL CONFORM TO SECTION 52, AND EPOXY SECTION 95, OF THE STANDARD SPECIFICATIONS, CALIFORNIA DEPARTMENT OF TRANSPORTATION.
8. CONCRETE SHALL MEET 3,000 PSI COMPRESSIVE STRENGTH IN 28-DAY REQUIREMENT
9. CONCRETE SHALL BE CLASS 3, OR BETTER, PER SECTION 90-10, STANDARD SPECIFICATIONS, CALIFORNIA DEPARTMENT OF TRANSPORTATION



PUBLIC WORKS DEPARTMENT

Drawing File No. S-102

APPROVED: _____

TIMOTHY P. O'HALLORAN, CITY ENGINEER - RCE NO. 49501

STANDARD DRAWING FOR

REPAIR OF CURB, GUTTER & SIDEWALK

CITY COUNCIL RESOLUTION NO: